

PLEASE CHECK WWW.MOLEX.COM FOR LATEST PART INFORMATION

Part Number: [0536270774](#)
Status: **Active**
Overview: [slimstack_0635mm_025_pitch](#)
Description: 0.635mm (.025") Pitch SlimStack™ Header, Surface Mount, Dual Row, Vertical Stacking, 10.00 and 16.00mm (.394 and .630") Stacking Heights, Lead-free, 70 Circuits, with Embossed Tape with Cover Packaging

Documents:

[3D Model](#) [Product Specification PS-52760-015 \(PDF\)](#)
[Drawing \(PDF\)](#) [RoHS Certificate of Compliance \(PDF\)](#)

General

| | |
|----------------|--|
| Product Family | PCB Headers |
| Series | 53627 |
| Application | Board-to-Board |
| Comments | Stacking-Type |
| Overview | slimstack_0635mm_025_pitch |
| Product Name | SlimStack™ |

Physical

| | |
|--------------------------------|--|
| Breakaway | No |
| Circuits (Loaded) | 70 |
| Color - Resin | Brown |
| Durability (mating cycles max) | 50 |
| First Mate / Last Break | No |
| Glow-Wire Compliant | No |
| Guide to Mating Part | No |
| Keying to Mating Part | None |
| Lock to Mating Part | Yes |
| Mated Height (in) | 0.394 In, 0.630 In |
| Mated Height (mm) | 10.00 mm, 16.00 mm |
| Material - Metal | Copper Alloy, Phosphor Bronze, Stainless Steel |
| Material - Plating Mating | Gold |
| Material - Plating Termination | Tin |
| Number of Rows | 2 |
| Orientation | Vertical |
| PCB Locator | Yes |
| PCB Retention | Yes |
| Packaging Type | Embossed Tape on Reel |
| Pitch - Mating Interface (in) | 0.025 In |
| Pitch - Mating Interface (mm) | 0.64 mm |
| Polarized to PCB | Yes |
| Robotic Placement | Metal Cap |
| Shrouded | Fully |
| Temperature Range - Operating | -55°C to +85°C |
| Termination Interface: Style | Surface Mount |

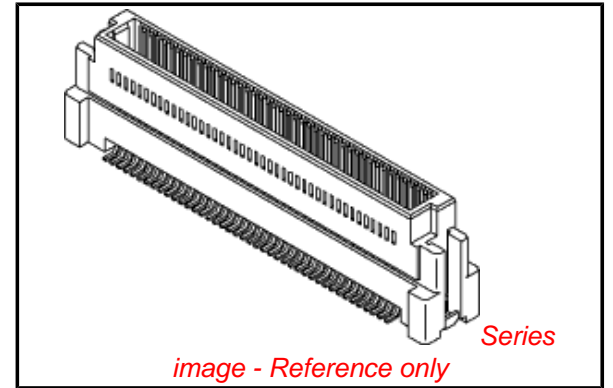
Electrical

| | |
|-------------------------------|------|
| Current - Maximum per Contact | 0.5A |
| Voltage - Maximum | 100V |

Material Info

Reference - Drawing Numbers

| | |
|-------------------------|---|
| Packaging Specification | SPK-53627-001 |
| Product Specification | PS-52760-015, RPS-52760-017, RPS-52760-018, RPS-52760-020, RPS-52760-021, RPS-52760-025, |



EU RoHS

ELV and RoHS Compliant
REACH SVHC Contains SVHC: No
Halogen-Free Status

China RoHS



Not Reviewed

Need more information on product environmental compliance?

Email productcompliance@molex.com
 For a multiple part number RoHS Certificate of Compliance, [click here](#)

Please visit the [Contact Us](#) section for any non-product compliance questions.

Search Parts in this Series

[53627Series](#)

Mates With

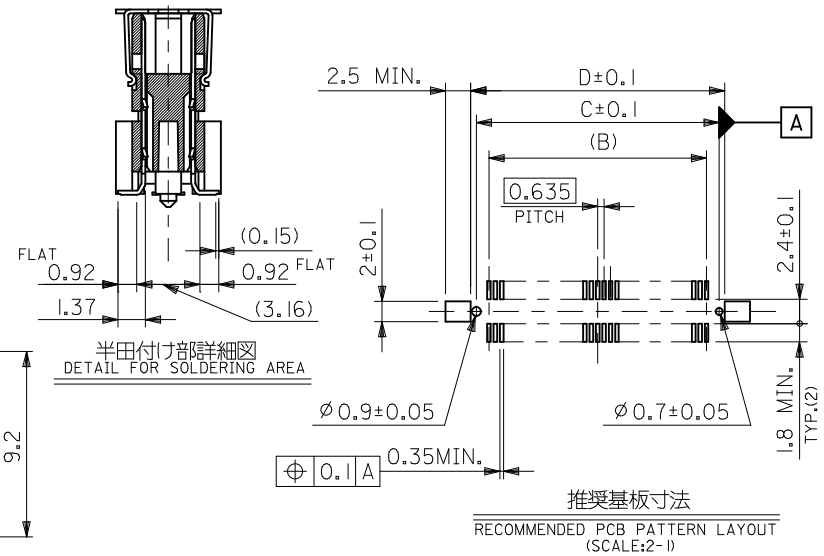
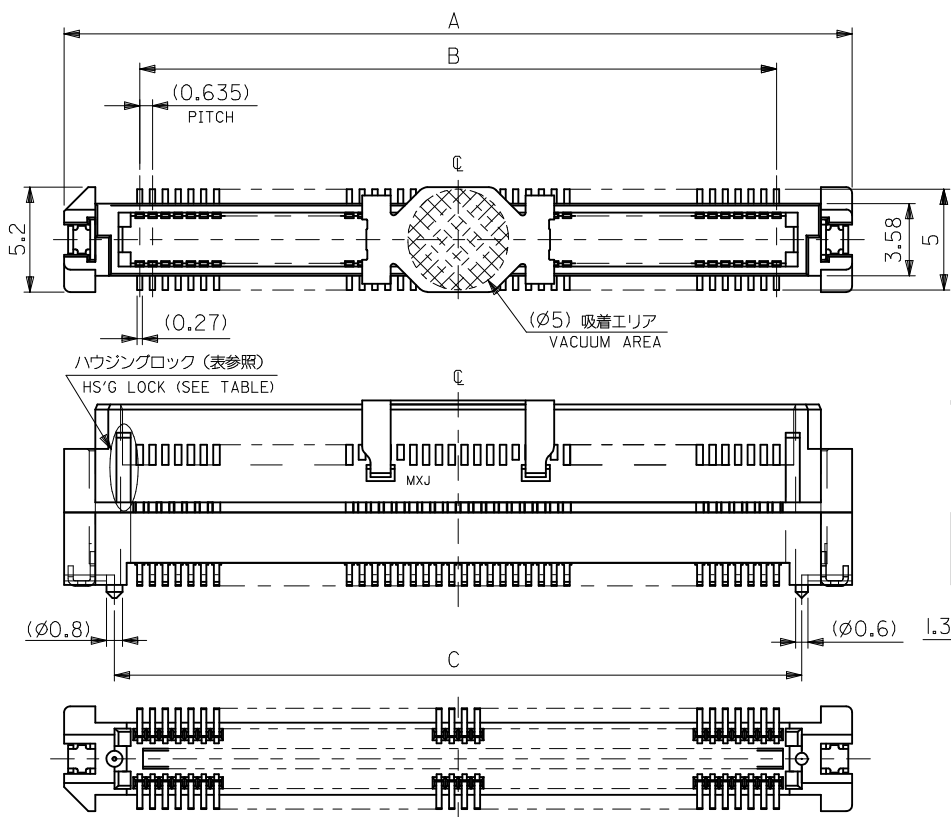
SlimStack™ Receptacle [52760](#) , [52837](#) , [52885](#) , [52901](#)

Sales Drawing

RPS-52760-028, RPS-52760-029, RPS-52885-007,
RPS-52885-008, RPS-52885-009
SD-53627-001, SD-53627-002

This document was generated on 05/25/2010

PLEASE CHECK WWW.MOLEX.COM FOR LATEST PART INFORMATION



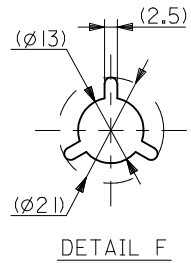
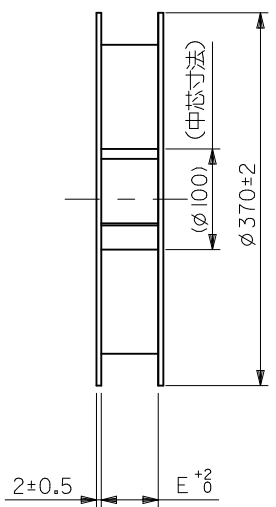
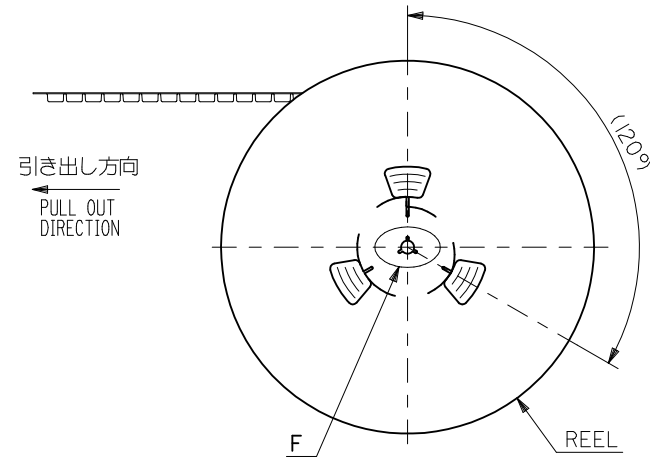
NOTES

1. 材質
 MATERIAL
 ハウジング: ガラス入りPPS、茶色、UL94V-0
 HOUSING: POLYPHENYLENE SULFIDE, GLASS FILLED, BROWN, UL94V-0
 ターミナル: 銅合金 (t=0.2)、ニッケルメッキ下地1.0マイクロメートル以上
 TERMINAL: COPPER ALLOY, UNDER-PLATING: NICKEL 1.5 MICROMETER MIN.
 接点部 : 金メッキ 0.25マイクロメートル以上
 CONTACT AREA: GOLD 0.25 MICROMETER MIN.
 半田付け部 : 錫メッキ1.0マイクロメートル以上
 SOLDER TAIL AREA: TIN 1.0 MICROMETER MIN.
 ネール : リン青銅(t=0.2)、ニッケルメッキ下地1.0マイクロメートル以上
 NAIL: PHOSPHOR BRONZE, UNDER-PLATING: NICKEL 1.0 MICROMETER MIN.
 錫メッキ1.0マイクロメートル以上
 TIN 1.0 MICROMETER MIN.
 吸着カバー: ステンレス (t=0.2)
 VACUUM COVER: STAINLESS STEEL

2. テールのバラツキ寸法
 TAIL COPLANARITY
 テール平坦度は、0.1ミリ以下とする。
 TAILS COPLANARITY TO BE 0.1 MILLIMETER MAX.

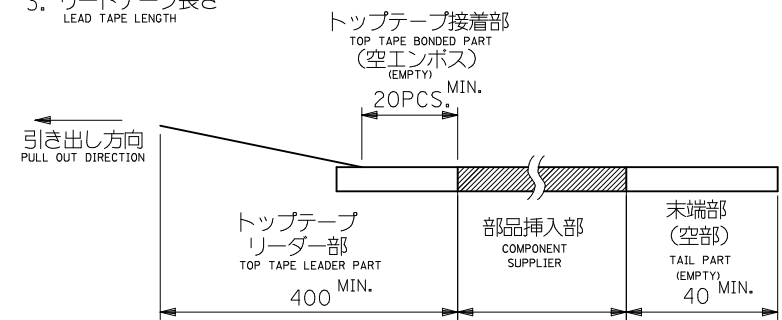
| | | | | | | | |
|----------------------|-------|--------|--------|------------|----------------------------|--------------------------|----------------|
| 無し NO | 66.47 | 65.37 | 62.865 | 70.37 | 53627-2074 | — | 200 |
| | 53.77 | 52.67 | 50.165 | 57.67 | — | 53627-1675 | 160 |
| | 47.42 | 46.32 | 43.815 | 51.32 | 53627-1474 | -1475 | 140 |
| | 41.07 | 39.97 | 37.465 | 44.97 | -1274 | -1275 | 120 |
| | 34.72 | 33.62 | 31.115 | 38.62 | -1074 | -1075 | 100 |
| 有り YES | 31.55 | 30.45 | 27.94 | 35.45 | -0974 | -0975 | 90 |
| | 28.37 | 27.27 | 24.765 | 32.27 | -0874 | -0875 | 80 |
| | 25.2 | 24.1 | 21.59 | 29.1 | -0774 | -0775 | 70 |
| | 22.02 | 20.92 | 18.415 | 25.92 | -0674 | -0675 | 60 |
| | 18.85 | 17.75 | 15.24 | 22.75 | -0574 | -0575 | 50 |
| 15.67 | 14.57 | 12.065 | 19.57 | -0474 | -0475 | 40 | |
| 12.5 | 11.4 | 8.89 | 16.4 | -0374 | -0375 | 30 | |
| 9.32 | 8.22 | 5.715 | 13.22 | 53627-0274 | 53627-0275 | 20 | |
| ハウジングロック HSG LOCK | D | C | B | A | エンボス梱包 EMBOSSED PACKAGE | スティック梱包 STICK PACKAGE | 極数 CIRCUITS |
| CONNECTOR SERIES No. | | | | | | 53627-**72 | |

| | | | | | | | |
|--|--|-------|----------------------------|--------------------|--|------------------------|---------------------------|
| REVISED EC NO: J2010-2458 DRWN:TKAHO 2010/06/04 CHKD:M.SASAO 2010/06/10 APPR:MSASAO 2010/06/11 | GENERAL TOLERANCES (UNLESS SPECIFIED) | | DIMENSION STYLE MM ONLY | | SCALE --- | DESIGN UNITS METRIC | THIRD ANGLE PROJECTION |
| | 10 UNDER | ±0.2 | DRAWN BY Y. SAKIYAMA | DATE 2004/03/05 | TITLE 0.635 PITCH B/B CONN. PLUG HSG COVER ASSY -LEAD FREE- | | |
| | 10 OVER 30 UNDER | ±0.25 | CHECKED BY M. SASAO | DATE 2004/03/05 | MOLEX INCORPORATED | | |
| | 30 OVER | ±0.3 | APPROVED BY M. SASAO | DATE 2004/03/05 | SD-53627-001 | | |
| ANGULAR ±3 ° | DRAFT WHERE APPLICABLE MUST REMAIN WITHIN DIMENSIONS | | MATERIAL NO. | DOCUMENT NO. | SHEET NO. 1 OF 1 | | |
| SIZE A3 | THIS DRAWING CONTAINS INFORMATION THAT IS PROPRIETARY TO MOLEX INCORPORATED AND SHOULD NOT BE USED WITHOUT WRITTEN PERMISSION | | | | | | |

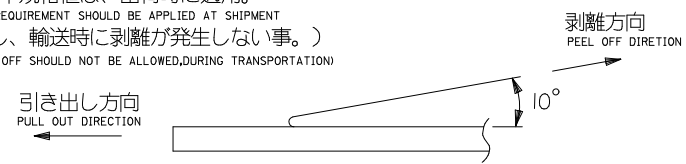


NOTES

1. 製品番号 53627-***72 の詳細寸法については SD-53627-001 を参照下さい。
IN THE PACKAGE , PART NO.53627-***72 DETAILED DIMENSIONS , SEE SD-53627-001.
2. 梱包数量 : 700個/リール
NUMBER OF CONNECTORS : 700 PCS/REEL
3. リードテープ長さ
LEAD TAPE LENGTH

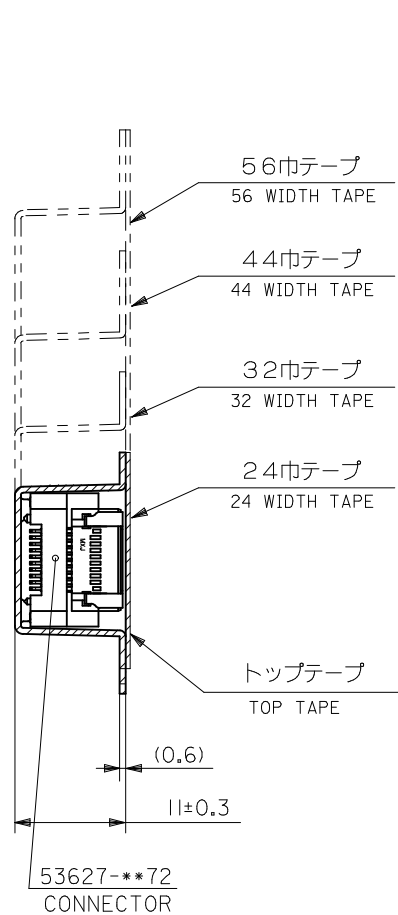


4. トップテープの剥離強度 (剥離方向は下図参照)
PEELING OFF FORCE OF TOP TAPE (PEELING DIRECTION AS SHOWN IN FOLLOWING FIG.)
0.1 ~ 1.3N {10 ~ 130gf}
尚、本規格値は、出荷時に適用。
THIS REQUIREMENT SHOULD BE APPLIED AT SHIPMENT
(但し、輸送時に剥離が発生しない事。)
(PEEL OFF SHOULD NOT BE ALLOWED,DURING TRANSPORTATION)

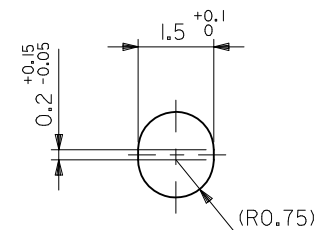
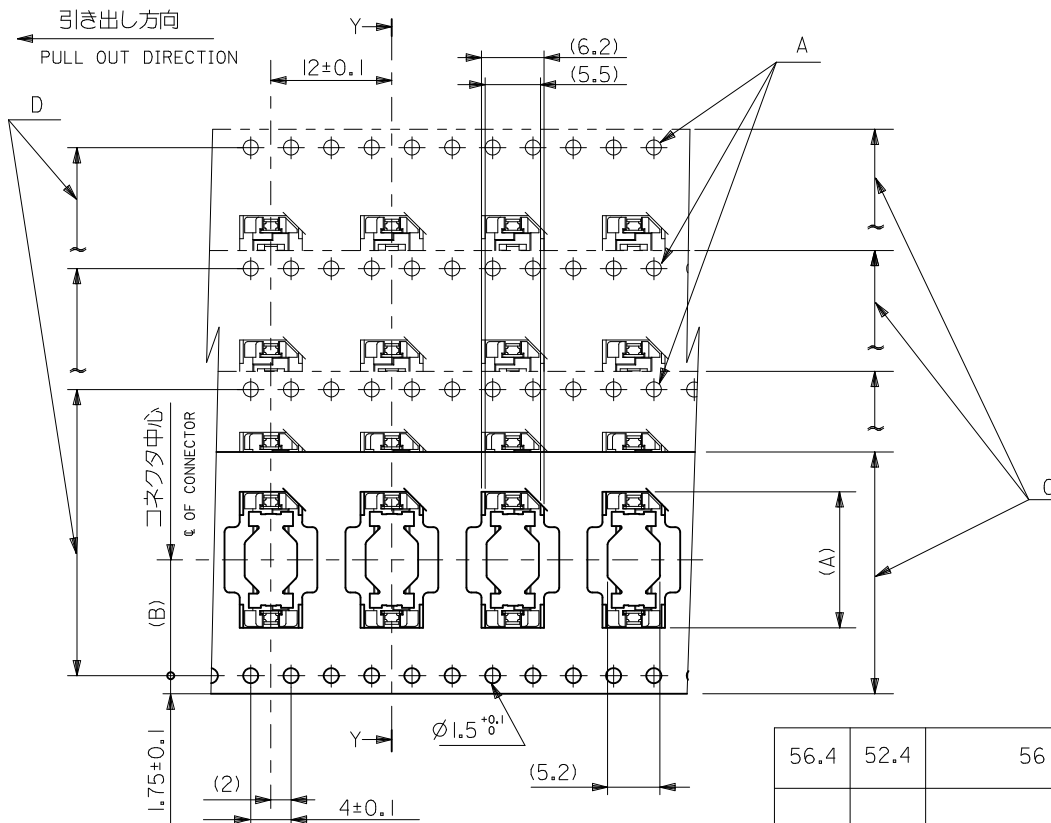


5. 材料
MATERIAL
キャリアテープ : ポリプロピレン (PP)
CARRIER TAPE : POLYPROPYLENE (PP)
トップテープ : PET, PE, PEF
TOP TAPE : PET, PE, PEF
リール : 紙
REEL : CARD BOARD

| | | | | | | | | |
|--|--------------------|--|--|--|--|--|------------------------|--|
| REVISED EC NO: J2010-2458 DRWN:TKAIHO 2010/06/04 CHK'D:M.SASAO 2010/06/10 APPR:MSASAO 2010/06/11 | DESCRIPTION REV | GENERAL TOLERANCES (UNLESS SPECIFIED) | | DIMENSION STYLE MM ONLY | | CONNECTOR SERIES No. 53627-***72 | | |
| | | 10 UNDER ±0.2 | | DRAWN BY DATE Y.SAKIYAMA 2004/03/05 | | SCALE --- | DESIGN UNITS METRIC | |
| | | 10 OVER 30 UNDER ±0.25 | | CHECKED BY DATE M.SASAO 2004/03/05 | | TITLE EMBSTP PKG FOR 0.635 B/B PLUG HSG ASSY (H=10) -LEAD FREE- | | |
| | | 30 OVER ±0.3 | | APPROVED BY DATE M.SASAO 2004/03/05 | | | | |
| ANGULAR ±3 ° | | DRAFT WHERE APPLICABLE MUST REMAIN WITHIN DIMENSIONS | | MATERIAL NO. SEE CHART | | DOCUMENT NO. SD-53627-002 | | |
| | | | | SIZE A3 | | SHEET NO. 1 OF 3 | | |



断面 Y-Y
SECTION Y-Y



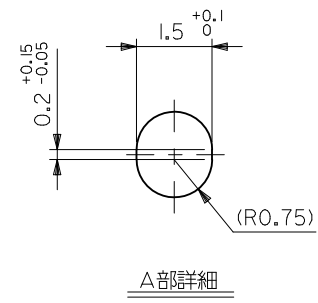
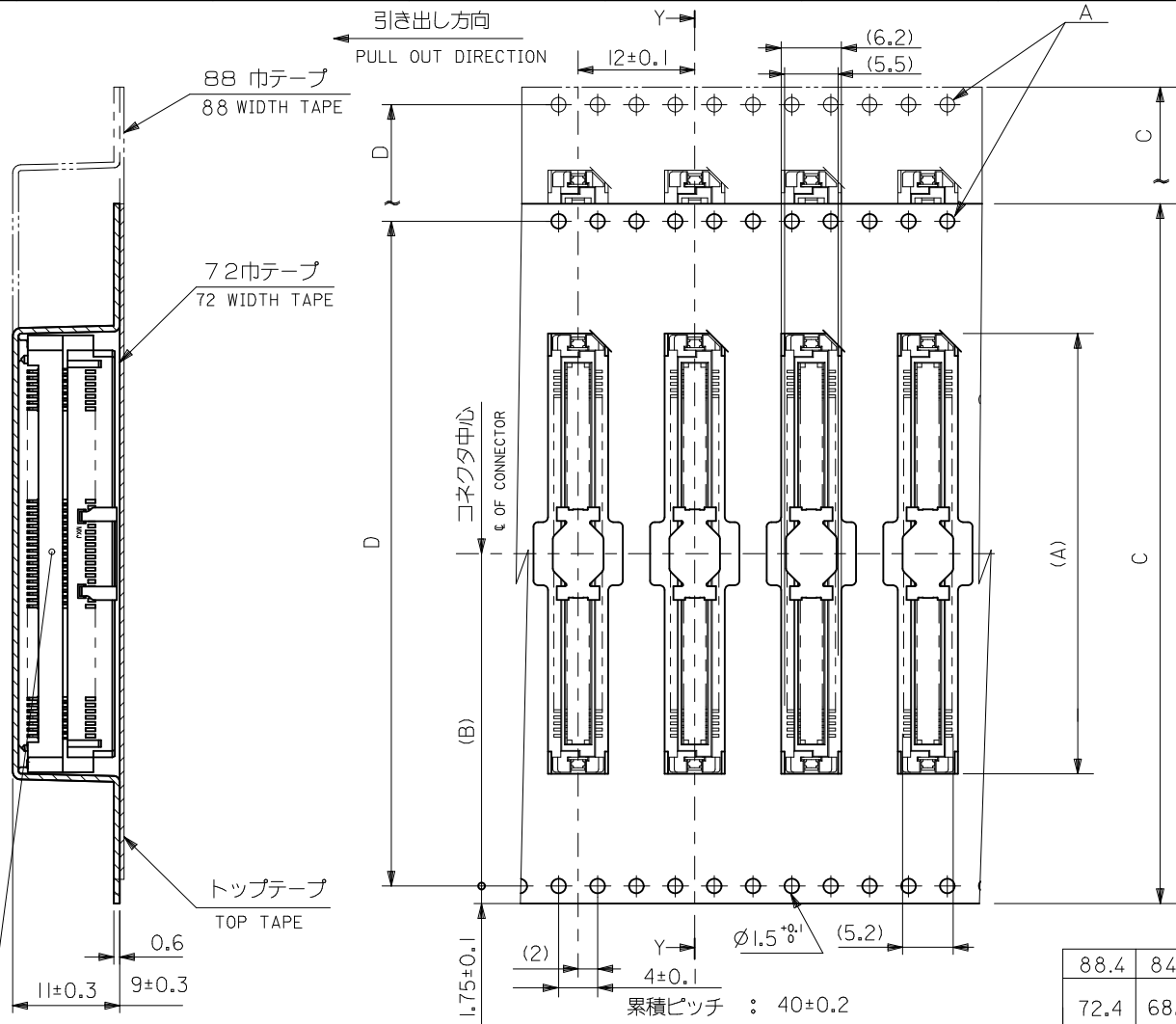
A部詳細

累積ピッチ : 40±0.2
ACCUMULATIVE
PITCH : 40±0.2

| | | | | | | |
|------|------|----|--------------------------------|------|------------|-----------------------------|
| 56.4 | 52.4 | 56 | 26.2 | 38.9 | 53627-1074 | 100 |
| | | | | 35.8 | -0974 | 90 |
| 44.4 | 40.4 | 44 | 20.2 | 32.6 | -0874 | 80 |
| | | | | 29.4 | -0774 | 70 |
| | | | | 26.2 | -0674 | 60 |
| | | | | 23.1 | -0574 | 50 |
| 32.4 | 28.4 | 32 | 14.2 | 19.9 | -0474 | 40 |
| | | | | 16.7 | -0374 | 30 |
| 24.4 | — | 24 | 11.5 | 13.5 | 53627-0274 | 20 |
| E | D | C | キャリアテープ幅 CARRIER TAPE WIDTH | (B) | (A) | MATERIAL NO. 極数 CIRCUITS |

| | | | | | | |
|--|--|--|----------------------------|--|-------------------------------------|---------------------|
| REVISED EC NO: J2010-2458 DRWN:TKAIHO 2010/06/04 CH'KD:M.SASAO 2010/06/10 APPR:MSASAO 2010/06/11 | GENERAL TOLERANCES (UNLESS SPECIFIED) | | DIMENSION STYLE MM ONLY | | CONNECTOR SERIES No. 53627-***72 | |
| | 10 UNDER | ±0.2 | DRAWN BY Y.SAKIYAMA | | SCALE --- | |
| | 10 OVER 30 UNDER | ±0.25 | DATE 2004/03/05 | | DESIGN UNITS METRIC | |
| | 30 OVER | ±0.3 | CHECKED BY M.SASAO | | THIRD ANGLE PROJECTION | |
| | ANGULAR ±3 ° | APPROVED BY M.SASAO | | TITLE EMBSTP PKG FOR 0.635 B/B PLUG HSG ASSY (H=10) -LEAD FREE- | | |
| | DRAFT WHERE APPLICABLE MUST REMAIN WITHIN DIMENSIONS | DATE 2004/03/05 | | MOLEX INCORPORATED | | |
| | | MATERIAL NO. | | DOCUMENT NO. SD-53627-002 | | SHEET NO. 2 OF 3 |
| | | SIZE A3 | | SEE CHART | | |
| | | THIS DRAWING CONTAINS INFORMATION THAT IS PROPRIETARY TO MOLEX INCORPORATED AND SHOULD NOT BE USED WITHOUT WRITTEN PERMISSION | | | | |

10 9 8 7 6 5 4 3 2 1



53627-**72 CONNECTOR
断面 Y-Y
SECTION Y-Y

累積ピッチ : 40±0.2
ACCUMULATIVE PITCH : 40±0.2

| | | | | | | |
|------|------|----|--------------------------------|------|------------|-----------------------------|
| 88.4 | 84.4 | 88 | 42.2 | 70.7 | 53627-2074 | 200 |
| 72.4 | 68.4 | 72 | 34.2 | 51.6 | 53627-1474 | 140 |
| | | | | 45.3 | 53627-1274 | 120 |
| E | D | C | キャリアテープ幅 CARRIER TAPE WIDTH | (B) | (A) | MATERIAL NO. 種数 CIRCUITS |

| | | | | | |
|---|--------------------|--|-------|--|------------------------------------|
| REVISED EC NO: J2010-2458 DRWN: KAIHO CHKD: M. SASAO APPR: MSASAO | DESCRIPTION REV | GENERAL TOLERANCES (UNLESS SPECIFIED) | | DIMENSION STYLE MM ONLY | CONNECTOR SERIES No. 53627-**72 |
| | | 10 UNDER | ±0.2 | DRAWN BY Y. SAKIYAMA | DATE 2004/03/05 |
| | | 10 OVER 30 UNDER | ±0.25 | CHECKED BY M. SASAO | DATE 2004/03/05 |
| | | 30 OVER | ±0.3 | APPROVED BY M. SASAO | DATE 2004/03/05 |
| ANGULAR ±3 ° | | DRAFT WHERE APPLICABLE MUST REMAIN WITHIN DIMENSIONS | | SCALE --- | DESIGN UNITS METRIC |
| SIZE A3 | | SEE CHART | | TITLE EMBSTP PKG FOR 0.635 B/B PLUG HSG ASSY (H=10) -LEAD FREE- | |
| | | | | MATERIAL NO. DOCUMENT NO. SD-53627-002 | |
| | | | | SHEET NO. 3 OF 3 | |